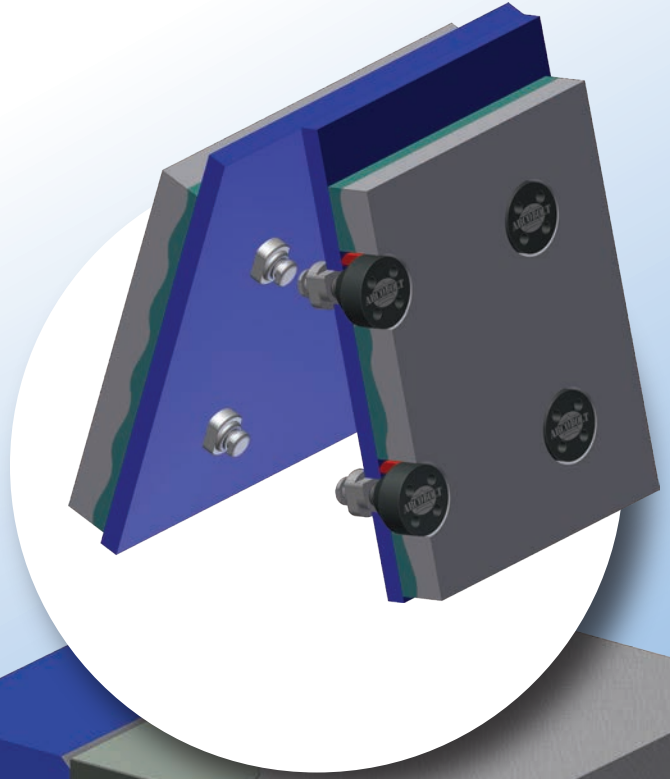
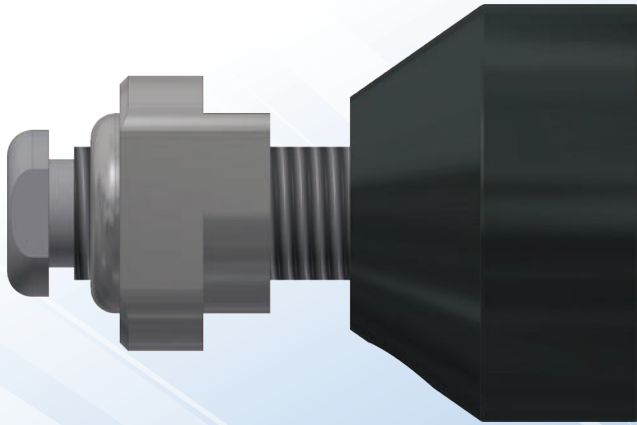
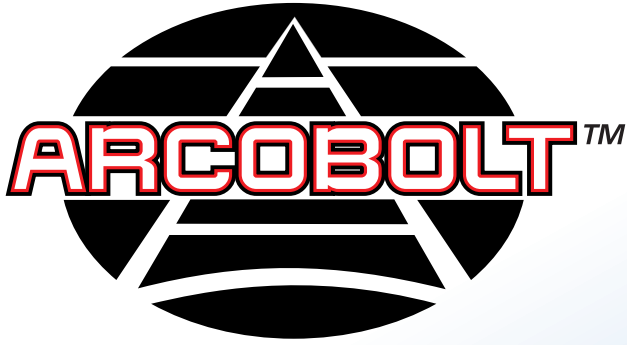
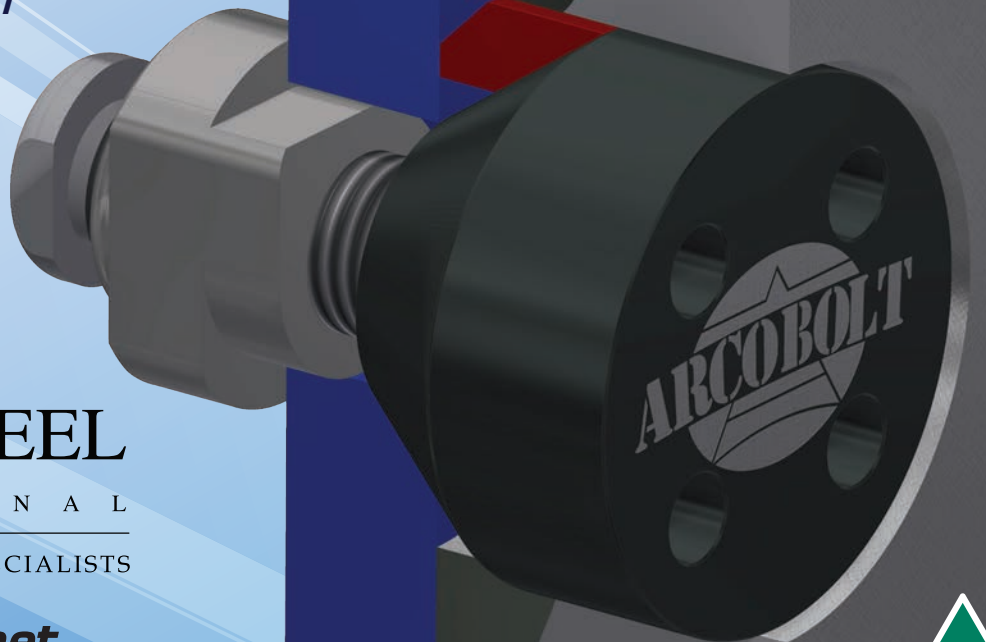


# ***THE ULTIMATE*** ***SINGLE SIDED*** ***wear liner fastening system.***



***ARCOBOLT™ GEN1***

Patent number: 2018101607



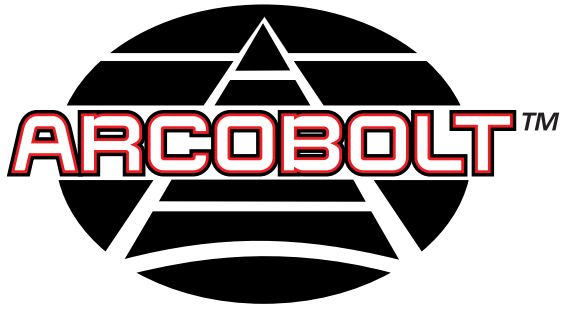
**ALLOY STEEL**

**I N T E R N A T I O N A L**

**ASSET PROTECTION SYSTEM SPECIALISTS**

***www.alloysteel.net***










***Arcobolt™ provides true structural strength for wear liners where access is limited to only one side of the joint. Arcobolt head material : High Tensile steel 4230 Hardened to 40HRC. G65 Abrasion Testing Mass loss, gms 0.0687.***

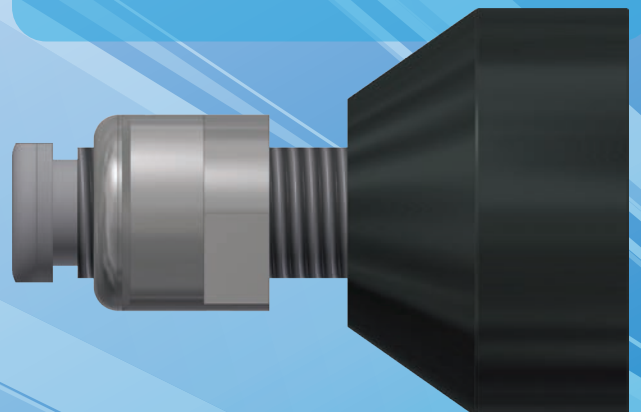


## ***Arcobolt™ Applications***

-  ***Rock Boxes***
-  ***Transfer chutes***
-  ***TLO's***
-  ***ReClaimer***
-  ***Loading Chutes***

***Arcobolt™ has been used successfully in the following applications:***

***GRIZZLY UNDERPAN CHUTE  
ROY HILL WA***



## **ARCOBOLT DEVELOPMENT**

***Representing the most advanced fastening technology to date. The ARCOBOLT® (fasteners and tooling) has been developed to deliver the highest level of performance and reliability.***

- ***Allows Arcoplate liner installation from one side***
- ***Reduce shut down time for wear liner replacement***
- ***Nylon insert assisting in preventing self-loosening***

***Arcobolt can be used in a wide range of thickness applications offering the ideal fixings for hard to reach places. Being ideally suited for safe, quick and easy installation the Arcobolt save both time and expenditure.***

